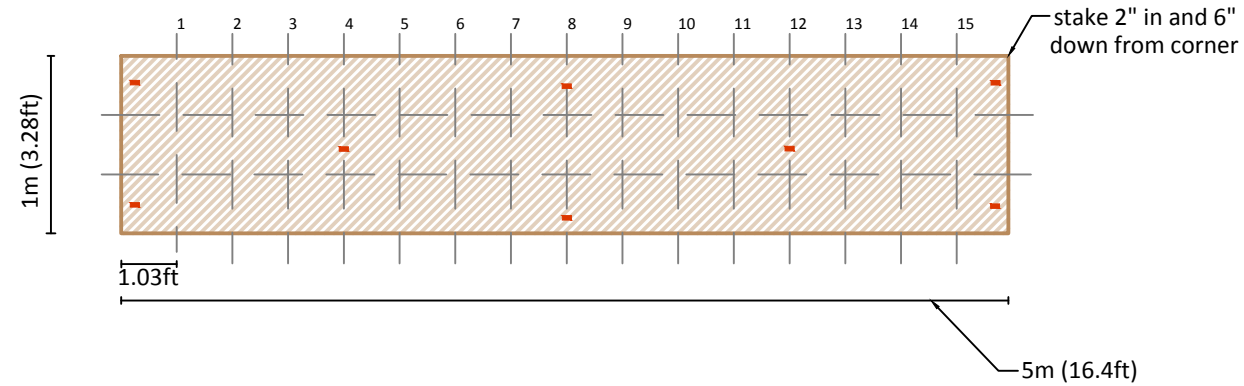
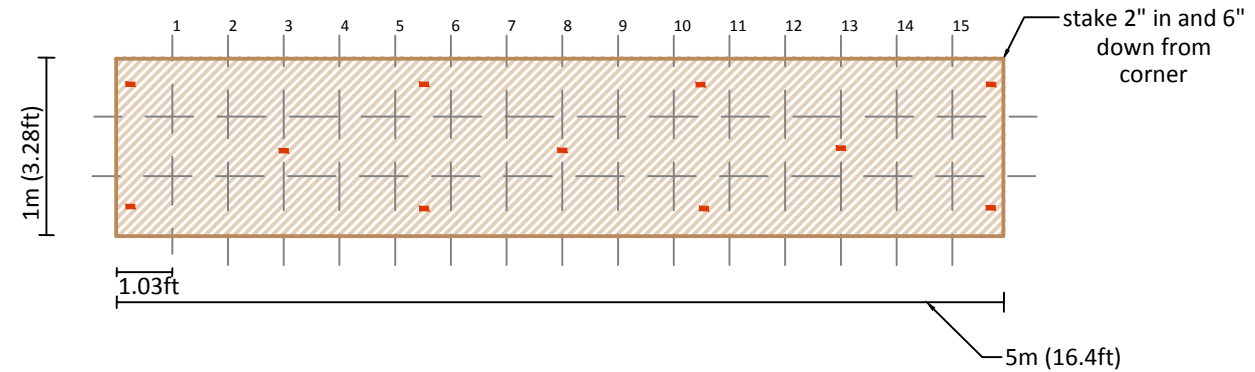


## Low Density Staking Pattern



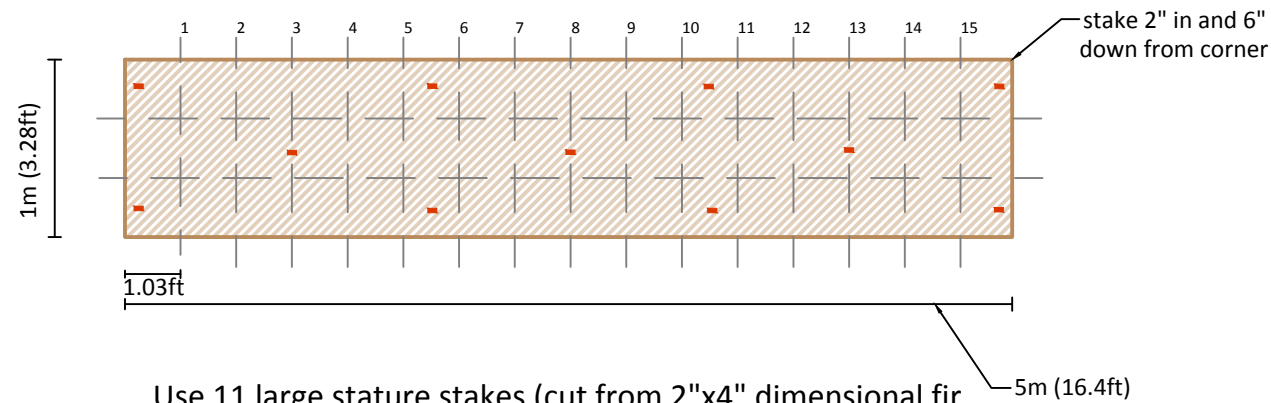
Use 8 stakes (1"x2"x12" wood); 2 on each end near the corners, 2 in the middle near top and bottom, and 2 more spaced evenly between the middle and the ends. If overlapping sod mats, move stakes closer to the edges (~2" from edge) to catch overlap of adjacent mats.

## Medium Density Staking Pattern



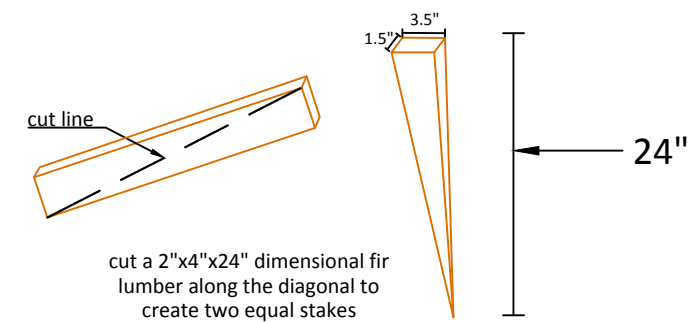
Use 11 stakes (1"x2"x16" wood); 2 on each end near the corners, 2 sets of 2 near top and bottom evenly spaced between the ends, and 3 more in the middle spaced evenly between the ends. If overlapping sod mats, move stakes closer to the edges (~2" from edge) to catch overlap of adjacent mats.

## High Density Staking Pattern \*Use Large Stature Stakes

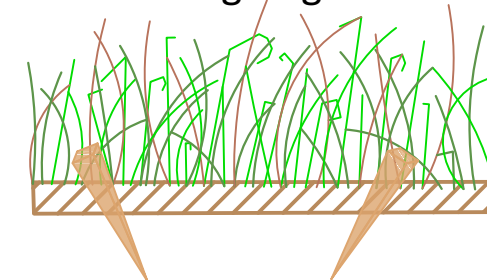


Use 11 large stature stakes (cut from 2"x4" dimensional fir lumber - see inset); 2 on each end near the corners, 2 sets of 2 near top and bottom evenly spaced between the ends, and 3 more in the middle spaced evenly between the ends. If overlapping adjacent sod mats, move stakes closer to the edges (~2" from edge) to catch overlap of mats.

### Custom Large Stature Stakes

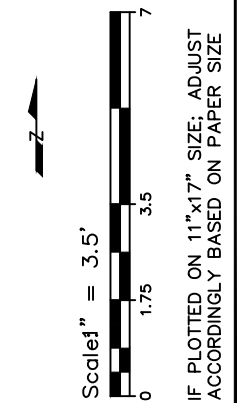


### Staking Angle



Stakes should be inserted at an angle to pin coir fabric tightly to the ground until plants can root. Angles can be adjusted depending on substrate.  
\*drawing not to scale

# Wetland Sod Staking Guidelines



DATE: February 10, 2017  
DRAWN BY: MDI  
CHECKED BY: JK  
JOB NAME: NFNP  
FILE: SodSpecs  
REVISIONS:

Sod Typical

# OF #